



POWER GENERATION  
FOR GENERATIONS

# MAXIMISE POWER AND PERFORMANCE

GO SOLAR WITH A PROVEN PRODUCT AND  
GET THE BEST ENERGY HARVEST

**PV MODULES WITH  
18.2% EFFICIENCY NOW!**

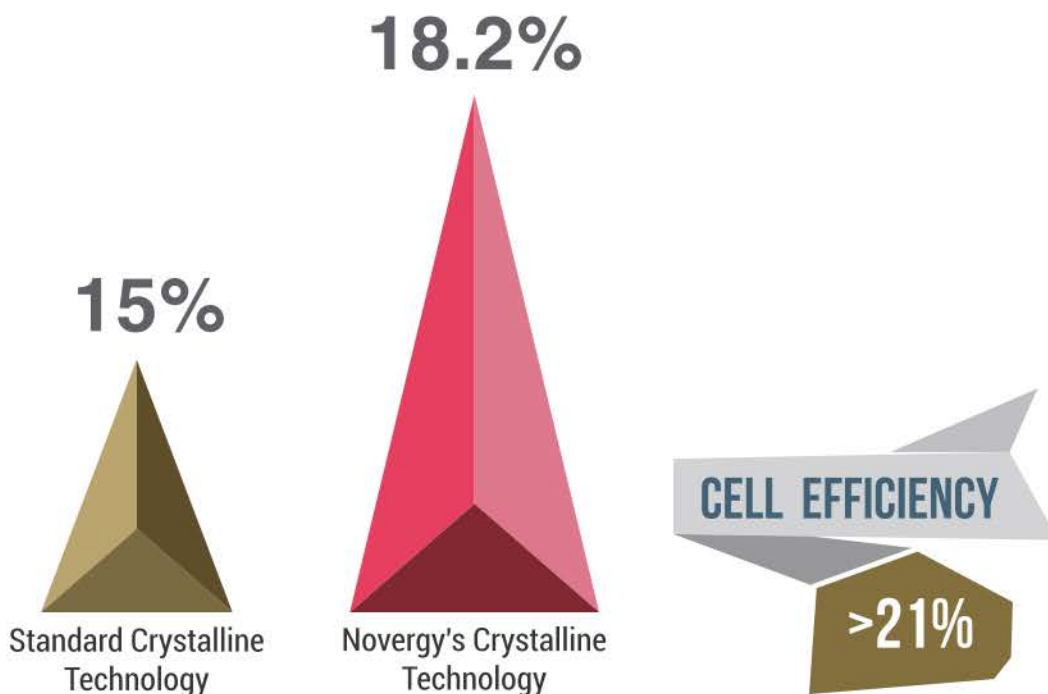


*Efficiency only few can deliver*

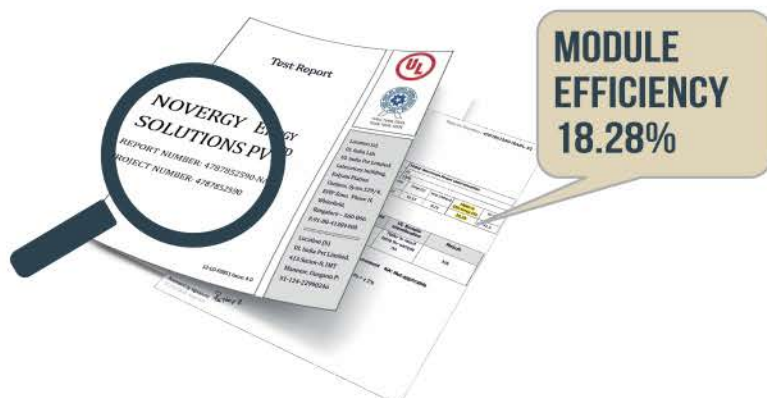
## GENERATE UPTO 20 PERCENT MORE SOLAR ENERGY WITH NOVERGY.

Our solar photovoltaic (PV) modules promises one of the highest efficiency quotients in the industry and lives upto it. As a global provider of durable solar power panels, Novergy has been solving power needs across industries for more than a decade. Our modules deliver more kWh energy than most other competitors.

## SUPERIOR MODULE EFFICIENCY



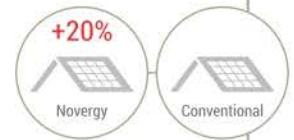
## NOW TESTED BY UL FOR EFFICIENCY



Designed to Maximize Power  
**PROVEN PERFORMANCE  
OVER GENERATIONS.**

**More Power per m<sup>2</sup>**

Our panels generate more power in lesser space.



**Better Temperature Coefficient**

Our PV modules have a better coefficient than conventional cells in the market. With our technology the reduction in energy yield is 0.37% only. While other standard C-Si modules reduce by upto 0.47%.



**Anti-Reflective Coating On Glass**



Due to ARC glass the modules are able all to absorb more light and hence generate more power.

**Lower Degradation**



With use of high-grade materials, the cell degrades much lesser when first exposed to light. Hence, Reducing light-induced degradation.

**4 Bus Bar Design\***



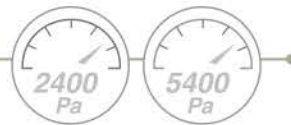
Enhances current transmission and module reliability.



\*Select models only

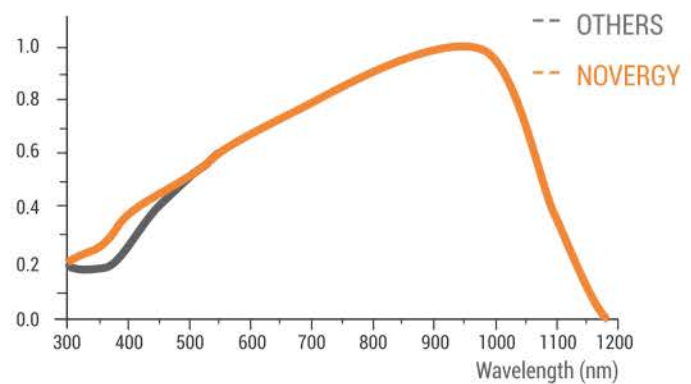
## Strong Mechanical Strength

Excellent mechanical load resistance: Certified to withstand high wind loads (2400 Pa) and Snow loads (5400 Pa).



## Responsive in Low Light

Novergery modules capture more sunlight in low light. The modules generate power in low wavelengths thus ensuring better power generation during morning, evening, winters and cloudy conditions. They "Wake up" the inverters earlier in the morning and generate power to the maximum potential till later in the evening.



### IP67

IP67 Junction box with built in bypass diodes.



### PID Free

The modules are PID free for long & reliable performance.

**We Offer both Monocrystalline and Polycrystalline Technologies**

# 25 YEARS WARRANTY

- Novergy linear performance warranty
- Standard Warranty



- For a period of twenty-five (25) years commencing on the Warranty Start Date, loss of power output of the nominal power output measured at Standard Test Conditions (STC) for the Product(s) shall not exceed:
  1. For Polycrystalline Products: 2% in the first year, thereafter 0.67% per year, ending with 82% in the 25th year after the Warranty Start Date.
  2. For monocrystalline Products: 3% in the first year, thereafter 0.67% per year, ending with 81% in the 25th year after the Warranty Start Date.
- The modules carry a 5 year product warranty against any manufacturing defects.

*Pretested to meet global standards*  
**A PREMIUM PRODUCT. RELIABLE  
WITH BIGGER RETURNS.**

Novergry panels deliver more kWh per rated kilowatt (kW) than conventional crystalline solar panels.  
That means an even greater ROI.

**Certifications / Compliance / Adhering / Tested**



*All components used of SOLAR Grade with GERMAN, AMERICAN, INTERNATIONAL STANDARDS and suitable for Outdoor usage with UV, moisture and weather stability.*



# Projects Across The Globe

## NOVERGY SITES. CLIENT SNAPSHOT.



Products being used by various leading MNCs, corporates, solar EPC companies, Institutions and global organisations.

Novergy products are exported to nearly 30 countries.

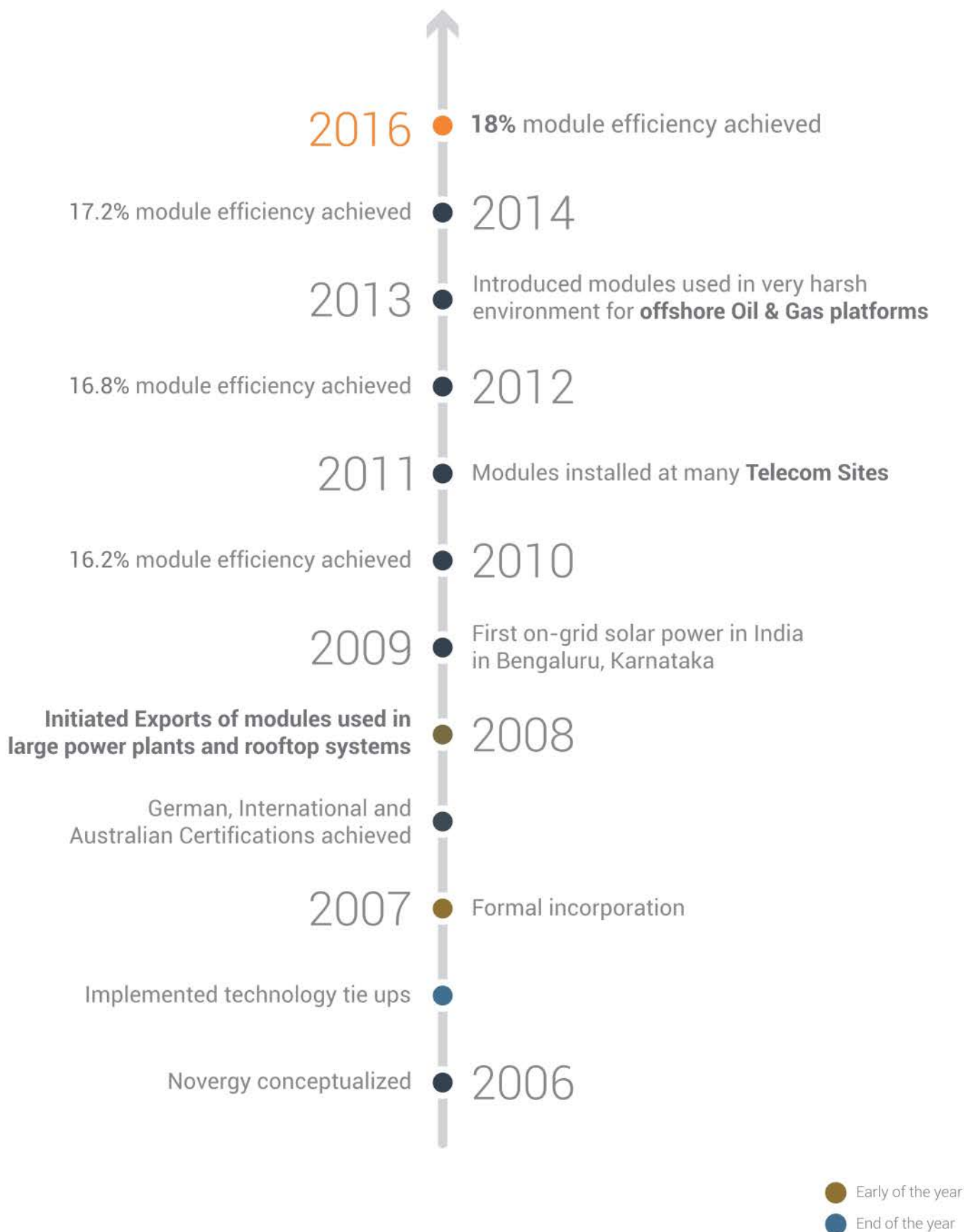






# Our Journey

## NOVERGY MILESTONES



## INDUSTRIES SERVED



Engineering



FMCG



Oil & Gas



Textile/Garment



Poultry Farms



Hospital



Telcom



NGO



Educational  
Institutes



Automotive



Cement



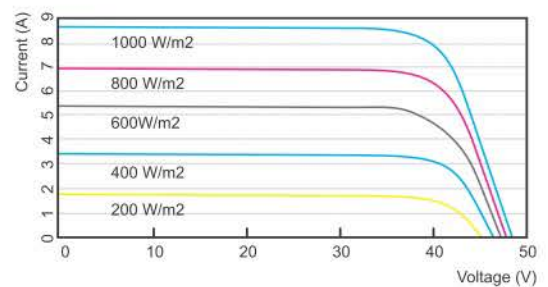
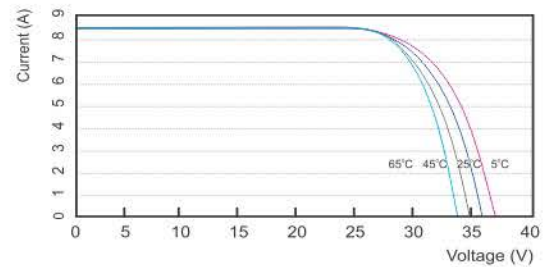
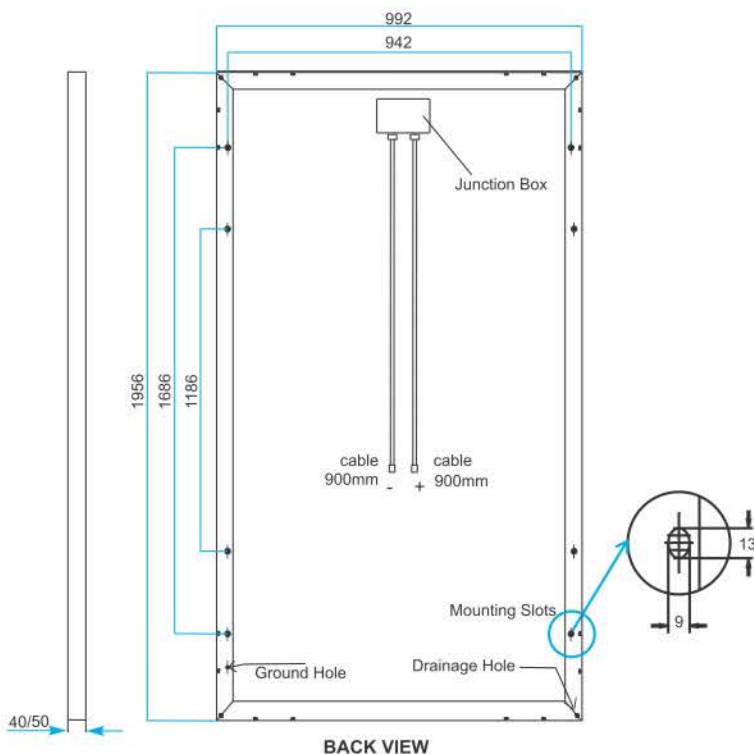
Industrial plastics



# POLY CRYSTALLINE SERIES

## 72 Cell

Model	PCAL 300	PCAL 305	PCAL 310	PCAL 315	PCAL 320	PCAL 325	PCAL 330	PCAL 335	PCAL 340
Type of cells	6" Poly crystalline Silicon								
Number of cells	72								
Module Peak Efficiency	17.5%								
Wattage (Wp)	300	305	310	315	320	325	330	335	340
Voltage at max. power (Vmax)	36.82	36.97	37.04	37.1	37.3	37.5	37.7	37.9	38.2
Open Circuit Voltage (Voc)	46.08	46.20	46.30	45.2	45.5	45.7	45.9	46.3	46.6
Current at maximum power (Imax)	8.15	8.25	8.37	8.49	8.58	8.67	8.75	8.84	8.90
Short circuit current (Isc)	8.53	8.60	8.69	9.19	9.26	9.32	9.35	9.39	9.44
Frame	Anodized Aluminium								
Front Glass	Tempered 3.2mm								
Junction box	IP67								
Cable	4mm <sup>2</sup> PV Cable								
Connector	MC4								
Number of Diode	3								
Dimensions (mm)	1956 x 992 x 40 / 50								
Max Series fuse rating	15A								
Weight (kg)	22								
Operating temperature (Deg. C)	-40 to +85								
Application Class	Class A								
Maximum system voltage	1000 VDC								
Temp. Coefficients	Power = - 0.37% / °C    Voltage = - 0.31% / °C    Current = - 0.05% / °C								
NOCT	45 +/- 2 °C								
Maximum Load	5400 Pa								



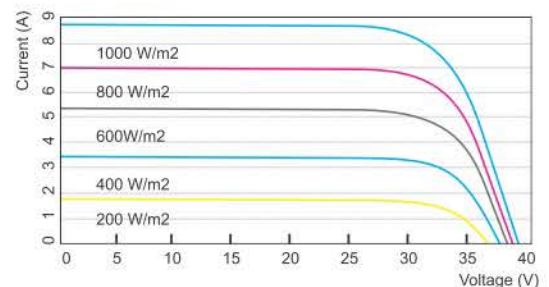
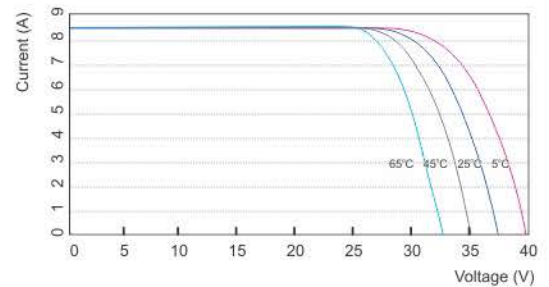
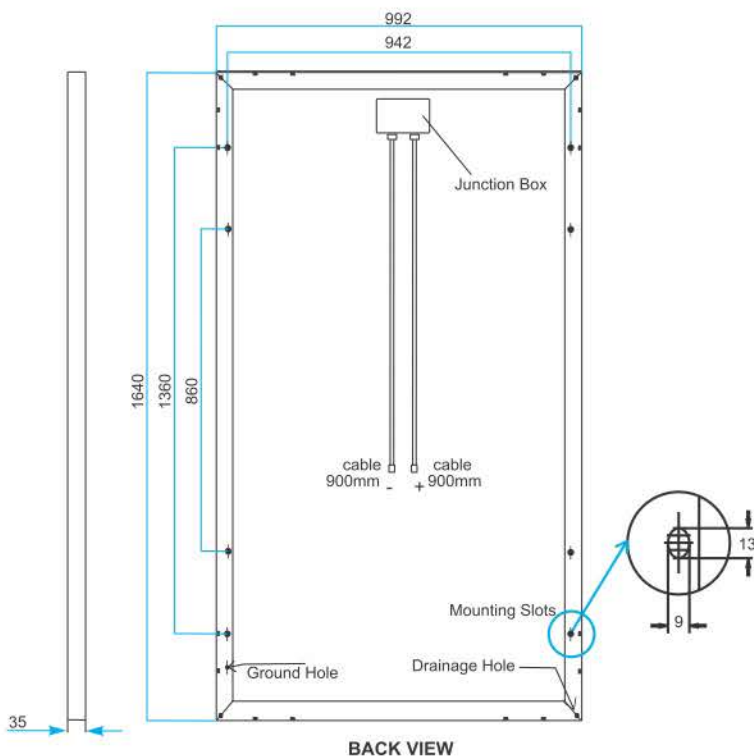
Specifications are subject to change without prior notice.



# POLY CRYSTALLINE SERIES

## 60 Cell

Model	PCA 250	PCA 255	PCA 260	PCA 265	PCA 270	PCA 275	PCA 280	PCA 285
Type of cells	6" Poly crystalline Silicon							
Number of cells	60							
Module Peak Efficiency	17.5%							
Wattage (Wp)	250	255	260	265	270	275	280	285
Voltage at max. power (Vmax)	31.8	32.0	32.3	32.5	32.7	32.9	33.2	33.4
Open Circuit Voltage (Voc)	37.8	38.1	38.3	38.6	38.8	39.0	39.3	39.6
Current at maximum power (Imax)	7.86	7.97	8.05	8.15	8.26	8.36	8.43	8.53
Short circuit current (Isc)	8.25	8.33	8.42	8.54	8.65	8.74	8.85	8.96
Frame	Anodized Aluminium							
Front Glass	Tempered 3.2mm							
Junction box	IP67							
Cable	4mm <sup>2</sup> PV Cable							
Connector	MC4							
Number of Diode	3							
Dimensions (mm)	1640 x 992 x 35							
Max Series fuse rating	15A							
Weight (kg)	17.8							
Operating temperature (Deg. C)	-40 to +85							
Application Class	Class A							
Maximum system voltage	1000 VDC							
Temp. Coefficients	Power = - 0.37% /°C    Voltage = - 0.31% /°C    Current = - 0.05% /°C							
NOCT	45 +/- 2 °C							
Maximum Load								



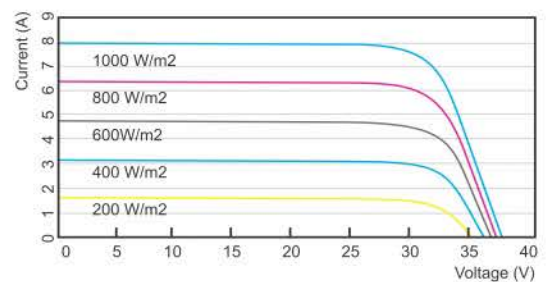
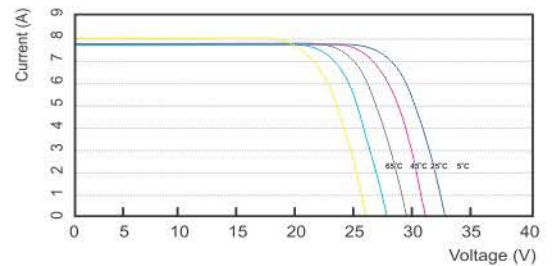
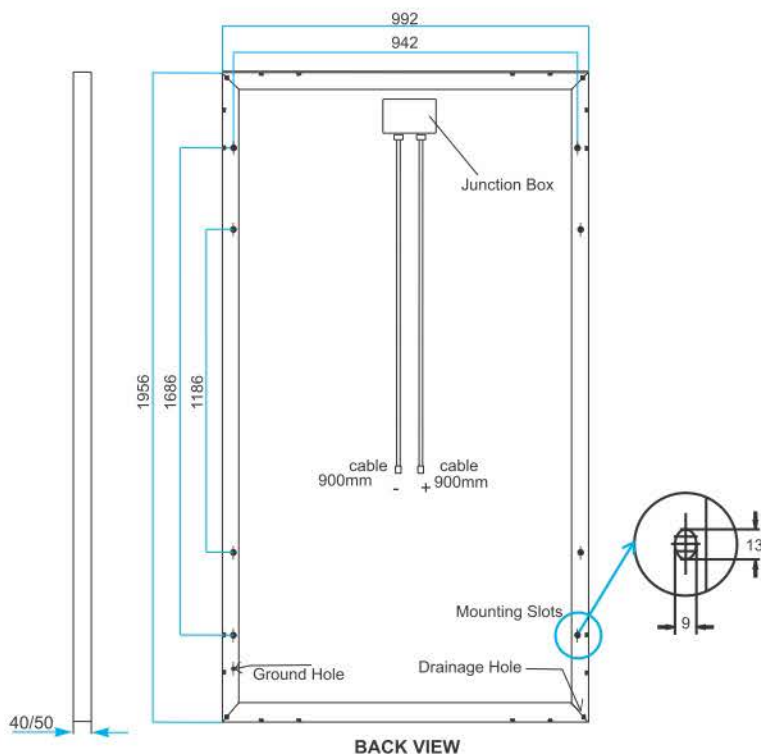
Specifications are subject to change without prior notice.



# MONO CRYSTALLINE SERIES

## 72 Cell

Model	MCAL 310	MCAL 315	MCAL 320	MCAL 325	MCAL 330	MCAL 335	MCAL 340	MCAL 345	MCAL 350
Type of cells	6" Mono crystalline Silicon								
Number of cells	72								
Module Peak Efficiency	18%								
Wattage (Wp)	310	315	320	325	330	335	340	345	350
Voltage at max. power (Vmax)	37.22	37.33	37.43	37.6	37.9	38.1	38.4	38.6	38.9
Open Circuit Voltage (Voc)	45.96	46.31	46.56	46.8	47.2	47.5	47.9	48.2	48.6
Current at maximum power (Imax)	8.21	8.44	8.55	8.64	8.71	8.79	8.85	8.94	9.00
Short circuit current (Isc)	8.65	8.78	8.81	9.09	9.16	9.22	9.25	9.29	9.34
Frame	Anodized Aluminium								
Front Glass	Tempered 3.2mm								
Junction box	IP67								
Cable	4mm <sup>2</sup> PV Cable								
Number of Diode	MC4								
Connector	3								
Dimensions (mm)	1956 x 992 x 40 / 50								
Max Series fuse rating	15A								
Weight (kg)	22								
Operating temperature (Deg. C)	-40 to +85								
Application Class	Class A								
Maximum system voltage	1000 VDC								
Temp. Coefficients	Power = - 0.37% / °C    Voltage = - 0.31% / °C    Current = - 0.05% / °C								
NOCT	45 +/- 2 °C								
Maximum Load	5400 Pa								



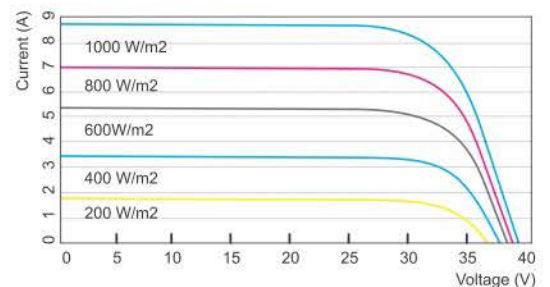
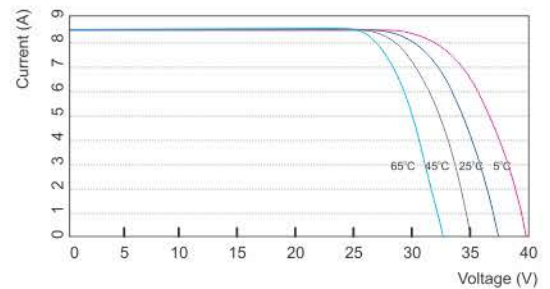
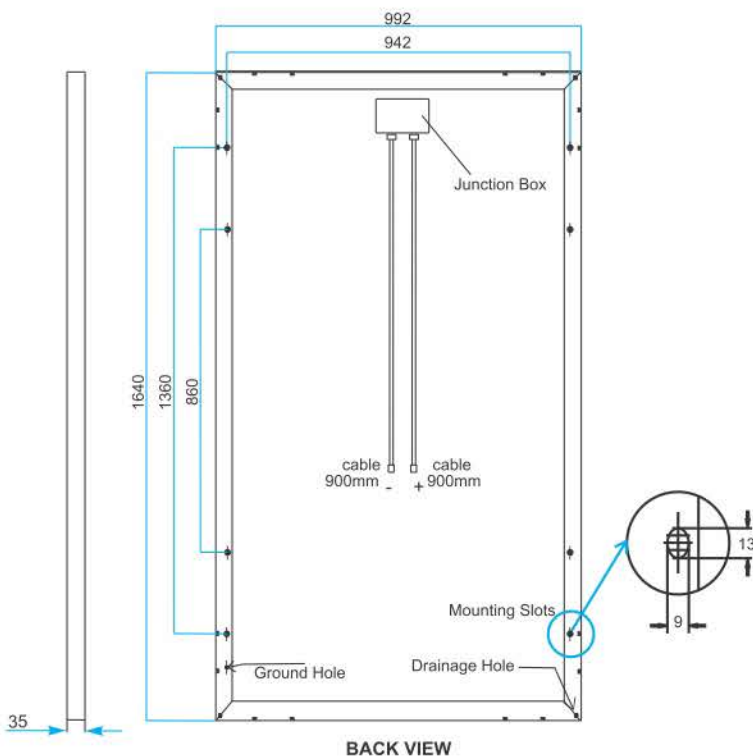
Specifications are subject to change without prior notice.



# MONO CRYSTALLINE SERIES

## 60 Cell

Model	MCA 250	MCA 265	MCA 270	MCA 275	MCA 280	MCA 285	MCA 290	MCA 295	MCA 300
Type of cells	6" Mono crystalline Silicon								
Number of cells	60								
Module Peak Efficiency	18%								
Wattage (Wp)	250	265	270	275	280	285	290	295	300
Voltage at max. power (Vmax)	31.1	32.0	32.3	32.5	32.7	32.9	33.2	33.4	33.7
Open Circuit Voltage (Voc)	37.8	38.1	38.3	38.6	38.8	39.0	39.3	39.6	39.9
Current at maximum power (Imax)	8.04	8.28	8.36	8.46	8.56	8.66	8.73	8.83	8.90
Short circuit current (Isc)	8.14	8.33	8.42	8.54	8.65	8.74	8.85	8.96	9.05
Frame	Anodized Aluminium								
Front Glass	Tempered 3.2mm								
Junction box	IP67								
Cable	4mm <sup>2</sup> PV Cable								
Connector	MC4								
Number of Diode	3								
Dimensions (mm)	1640 x 992 x 35								
Max Series fuse rating	15A								
Weight (kg)	17.8								
Operating temperature (Deg. C)	-40 to +85								
Application Class	Class A								
Maximum system voltage	1000 VDC								
Temp. Coefficients	Power = - 0.37% /°C			Voltage = - 0.31% /°C			Current = - 0.05% /°C		
NOCT	45 +/- 2 °C								
Maximum Load	5400 Pa								



Specifications are subject to change without prior notice.

**To Get more Power and Greater Returns,  
Contact Novergy Today!**

Write to [enquiry@novergy.net](mailto:enquiry@novergy.net)  
Visit us at [novergysolar.com](http://novergysolar.com)